

INSTALLATION INSTRUCTIONS

IMPORTANT:

PLEASE COMPLETELY UNDERSTAND ALL USER INSTRUCTIONS AND SAFETY INFORMATION BEFORE USING THIS PRODUCT. AS WITH ANY HIGH TECH PRODUCT YOU WILL NEED TO ROUTINELY CHECK FOR LOOSE HARDWARE, CRACKS OR OTHER DAMAGE AND REPLACE ITEMS AS NECESSARY. DO NOT USE PRODUCT IF ANY OF THESE CONDITIONS EXIST.

BONTRAGER[®] MONOBAR INSTALLATION (computer mount instructions on next page)

HARDWARE REQUIRED



TOOLS REQUIRED

4 mm Hex Wrench
3 mm Hex Torque Wrench
(set to 2.3 Nm / 20in lbs)



SPECIAL NOTICE:

To mount the **KOMPACT 500 INTEGRATED** system on Bontrager[®] Monobar Extensions the separate **Bontrager[®] Speed Concept Between-the-Arms Hardware Mount, P/N 512178**, will need to be purchased from Trek[®].



KOMPACT 500 INTEGRATED Kit

1. Attach the Speed Concept Between-the-Arms Mount to the Monobar using the hardware included in the kit. Tighten using 4 mm hex wrench. **Figure A**

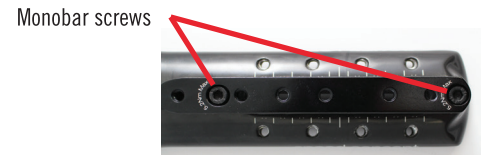
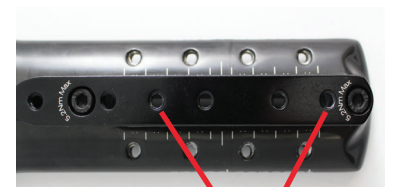


Figure A

2. There are three (3) sets of mounting holes in the Between-the-Arms Mount; select which one would work best by lining up the cage and finding the ideal position (loosely assemble). **Figure B**



Suggested cage mounting location

Figure B

3. Insert the front cage screw (A) by placing it back through the front hole in the cage, through the computer mount, and into the BTA (Between-The-Arms) Mount. **Figure A**

4. Insert the rear cage screw (B) by placing it back through the rear hole in the cage, through the computer mount, and into the BTA (Between-The-Arms) Mount.

5. Tighten the two cage screws using a 3 mm Hex Wrench and torque down to 2.3 Nm (20 in-lbs)

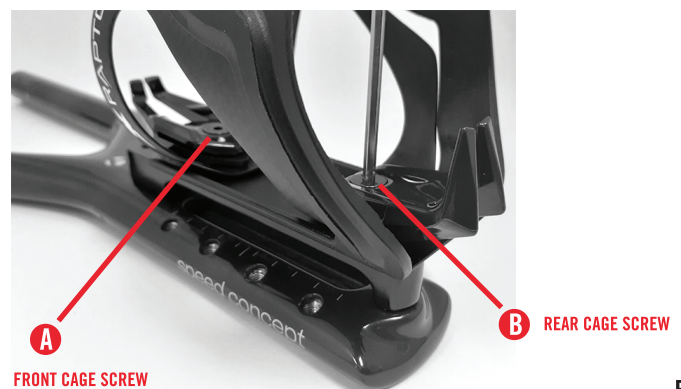


Figure C

CERVELO® INTEGRATED BARS INSTALLATION (computer mount instructions below)

NOTE: Compatible with most Aerobar direct mount bosses including Cervelo® EX11 Monobars and EX10 Extension Assemblies using the instructions below.

HARDWARE REQUIRED



1. Orient Cage with Computer Mount. **Figure D**

2. Insert a M5 x 25 **flat head screw (A)** through the front hole in the cage and through the front hole of the computer mount.

3. Add a M5 **steel flat washer (A)** to the end of the screw. Next, align the **front screw (A)** with the front cage mounting hole and insert, threading the screw two turns into the aerobar. The washer will be between the computer mount bracket and the aerobar. **Figure E**

4. Insert the remaining M5 x 25 **flat head screw (B)** through the rear hole of the cage and through the rear hole of the computer mount.

5. Add a M5 **steel flat washer (B)** to the end of the screw. Next, align the **rear screw (B)** with the rear cage mounting hole and insert, threading the screw two turns into the aerobar. The washer will be between the computer mount bracket and the aerobar. **Figure E**

6. Tighten both cage screws to 2.3 Nm (20 in. lbs).

TOOLS REQUIRED

3 mm Hex Torque Wrench
(set to 2.3 Nm / 20in lbs)

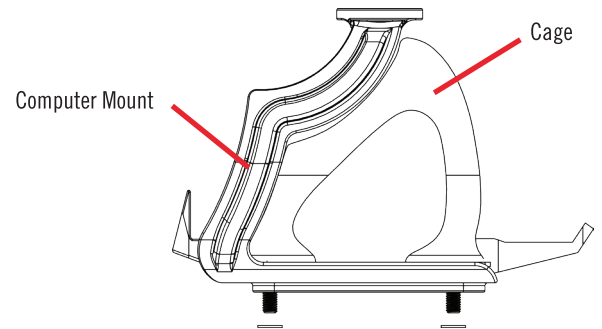


Figure D

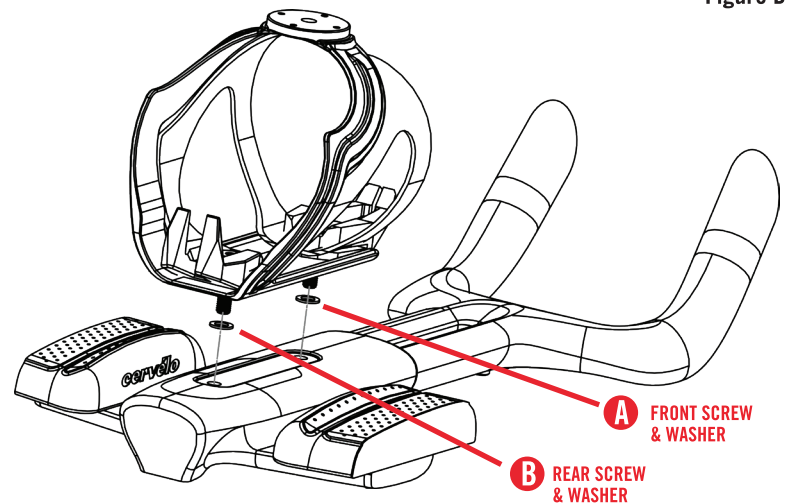


Figure E

WAHOO® COMPUTERS/GARMIN® MULTISPORT WATCHES

THE COMPUTER MOUNT IS ALREADY ASSEMBLED FOR GARMIN® BIKE COMPUTERS.

FOR POLAR®, CATEYE® OR OTHER STRAP-MOUNTED COMPUTERS, A SEPARATE INSERT IS AVAILABLE FOR PURCHASE. SEE WEBSITE FOR DETAILS.

TOOLS REQUIRED

2 mm Hex Wrench

Torque Wrench set to 1.1 Nm (10 in-lbs)

TO MOUNT A WAHOO® COMPUTER OR GARMIN® MULTISPORT WATCH ON THE KOMPACT 500 INTEGRATED, THE QUARTER TURN INSERT ON THE KOMPACT 500 INTEGRATED WILL NEED TO BE ROTATED TO ALLOW IT TO BE MOUNTED. TO MAKE THIS CHANGE, USE THE FOLLOWING STEPS:

1. Remove the two mounting screws (C) holding in the insert at the top of the computer mount using a 2 mm Hex Wrench. **Figure F**
2. Rotate the insert 90 degrees in either direction.
3. Place each of the screws back into the holes in the insert and tighten down.
4. Torque both screws to 1.1 Nm (10 in-lbs).

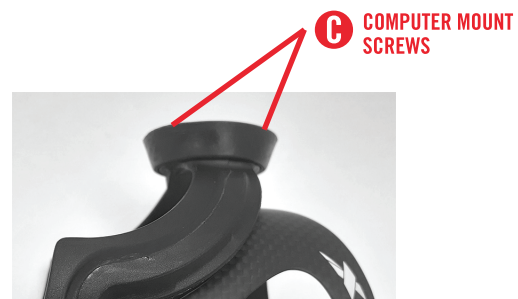


Figure F

WARRANTY:

KOMPACT 500 INTEGRATED system has a 3 year limited warranty. See website for details.